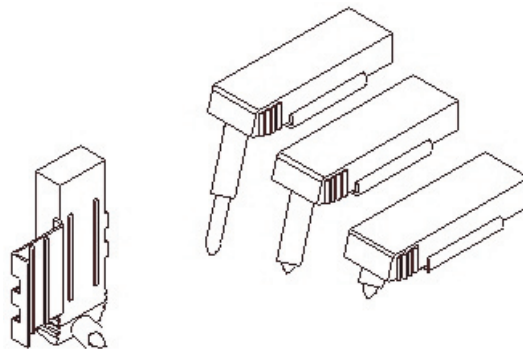


UNIVERSAL PENS

UNIVERSAL SERIES PENS FOR STRIP & CHART RECORDERS

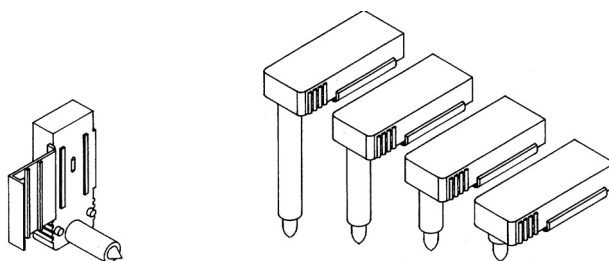
UD11 SERIES - EQUIVALENT TO 82 - 32

UD11 SERIES	COLOUR	NIB LENGTH	QTY/
UD111-R	RED	.145"	6
UD112-B	BLUE	.400"	6
UD113-G	GREEN	.650"	6
UD114-N	BLACK	.900"	6
UD114-V	VIOLET	.900"	6



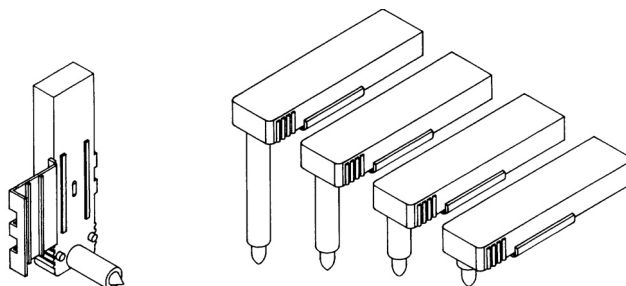
UD14 SERIES - EQUIVALENT TO 82 - 60

UD14 SERIES	COLOUR	NIB LENGTH	QTY/
UD141-R	RED	.140"	6
UD142-B	BLUE	.370"	6
UD143-G	GREEN	.600"	6
UD144-N	BLACK	.830"	6
UD144-V	VIOLET	.830"	6



UD15 SERIES - EQUIVALENT TO 82 - 22

UD15 SERIES	COLOUR	NIB LENGTH	QTY/
UD151-R	RED	.140"	6
UD152-B	BLUE	.370"	6
UD153-G	GREEN	.600"	6
UD154-N	BLACK	.830"	6
UD154-V	VIOLET	.830"	6



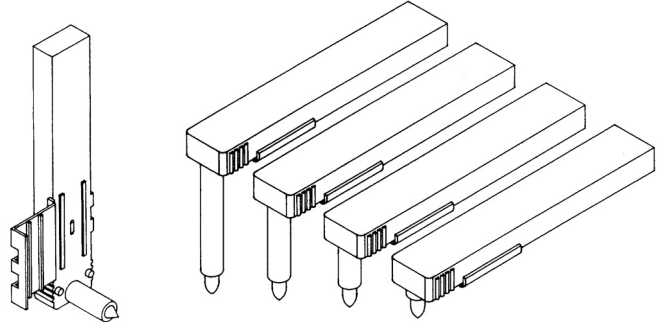
UNIVERSAL SERIES PENS ARE AVAILABLE IN ALL TIP SIZES/ COLOUR COMBINATIONS

UNIVERSAL PENS

UNIVERSAL SERIES PENS FOR STRIP & CHART RECORDERS

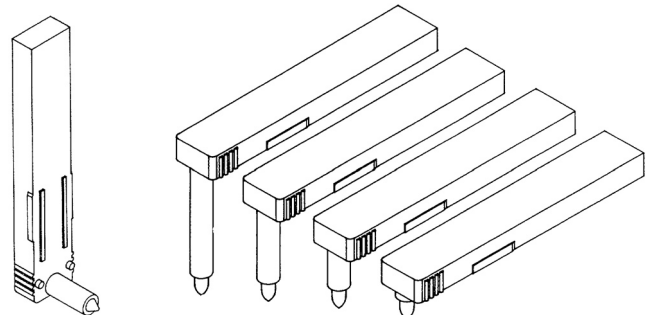
UD24 SERIES - EQUIVALENT TO 82 - 39

UD24 SERIES	COLOUR	NIB LENGTH	QTY/
UD241-R	RED	.140"	6
UD242-B	BLUE	.370"	6
UD243-G	GREEN	.600"	6
UD244-N	BLACK	.830"	6
UD244-V	VIOLET	.830"	6



UD23 SERIES - EQUIVALENT TO 82 - 88

UD23 SERIES	COLOUR	NIB LENGTH	QTY/
UD231-R	RED	.140"	6
UD232-B	BLUE	.370"	6
UD233-G	GREEN	.600"	6
UD234-N	BLACK	.830"	6
UD234-V	VIOLET	.830"	6



UNIVERSAL SERIES PENS ARE AVAILABLE IN ALL TIP SIZES/ COLOUR COMBINATIONS

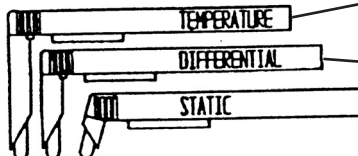
UNIVERSAL PENS

UNIVERSAL GAS MEASUREMENT CIRCLE CHART RECORDER PENS

EQUIVALENT TO SERIES 82 - 72 & 82 - 79

SCANNER PROCESSED - ARRAY A

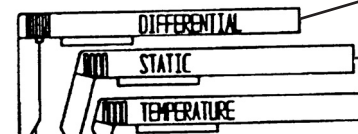
For Barton Instrument Systems & Rockwell



DESCRIPTION QTY/	COLOUR	CROWN	
TEMP-NON SCAN	GREEN	UD18800NS-G	6
TEMP-SCAN	GREEN	UD18800-G	6
DIFF SCAN	RED	UD18537-R	6
STATIC-SCAN	BLACK	UD17213-N	6
STATIC-SCAN	BLUE	UD17213-B	6

SCANNER PROCESSED - ARRAY B

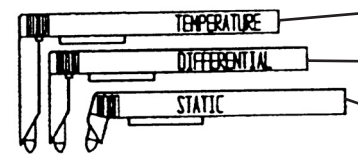
For Briar/Canadian Meter, American Meter, Foxboro & Mercury



DESCRIPTION QTY/	COLOUR	CROWN	
DIFF-SCAN	RED	UD18800-R	6
STATIC-SCAN	BLACK	UD17505-N	6
STATIC-SCAN	BLUE	UD17505-B	6
TEMP-SCAN	GREEN	UD17213-G	6
TEMP-NON SCAN	GREEN	UD17213NS-G	6

INTEGRATOR PROCESSED - ARRAY A

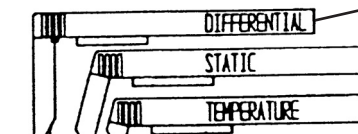
For Barton Instrument Systems & Rockwell



DESCRIPTION QTY/	COLOUR	CROWN	
TEMP	GREEN	UD24800-G	6
DIFF	RED	UD24537-R	6
STATIC	BLACK	UD16213-N	6
STATIC	BLUE	UD16213-B	6

INTEGRATOR PROCESSED - ARRAY B

For Briar/Canadian Meter, American Meter, Foxboro & Mercury



DESCRIPTION QTY/	COLOUR	CROWN	
DIFF	RED	UD24800-R	6
STATIC	BLACK	UD16505-N	6
STATIC	BLUE	UD16505-B	6
TEMP	GREEN	UD16213-G	6

ONE PEN TYPE FOR EACH COLOUR/CHANNEL WILL COVER BOTH LOW AND HIGH TEMPERATURE RANGE REQUIREMENTS